

Halvard R-1040-C40 Crash-Rated Bollard



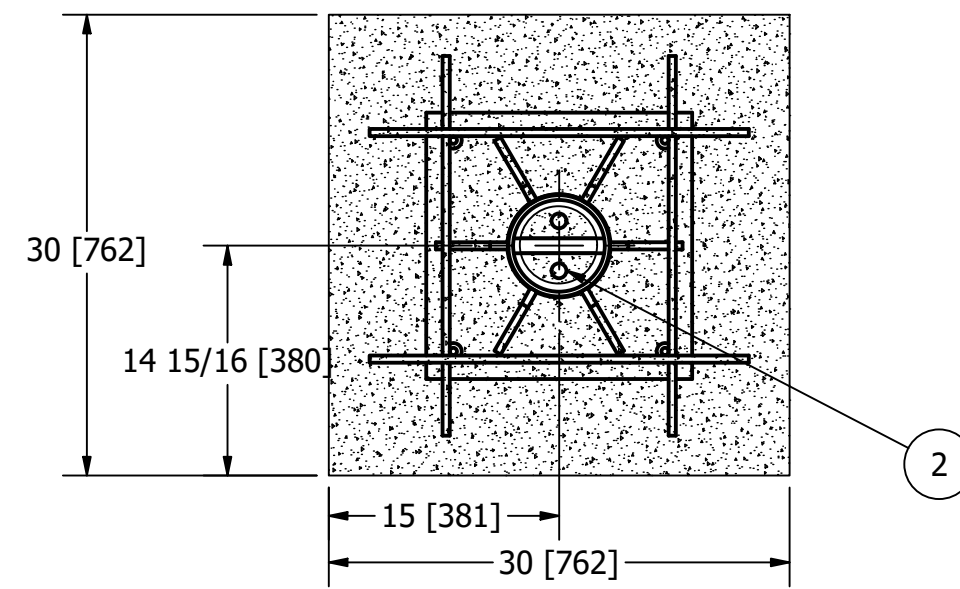
General Description:

Built to prevent small vehicles from purposefully or accidentally intruding into sensitive areas, our Halvard C40 Crash-Rated Bollard is engineered to keep pedestrians and storefronts safe. Engineered in Canada and certified to ASTM F2656-20 SC40 P1 in American testing facilities, one of these bollards is enough to stop a 2430-pound vehicle traveling at 40 mph with less than 3.3 feet of penetration.

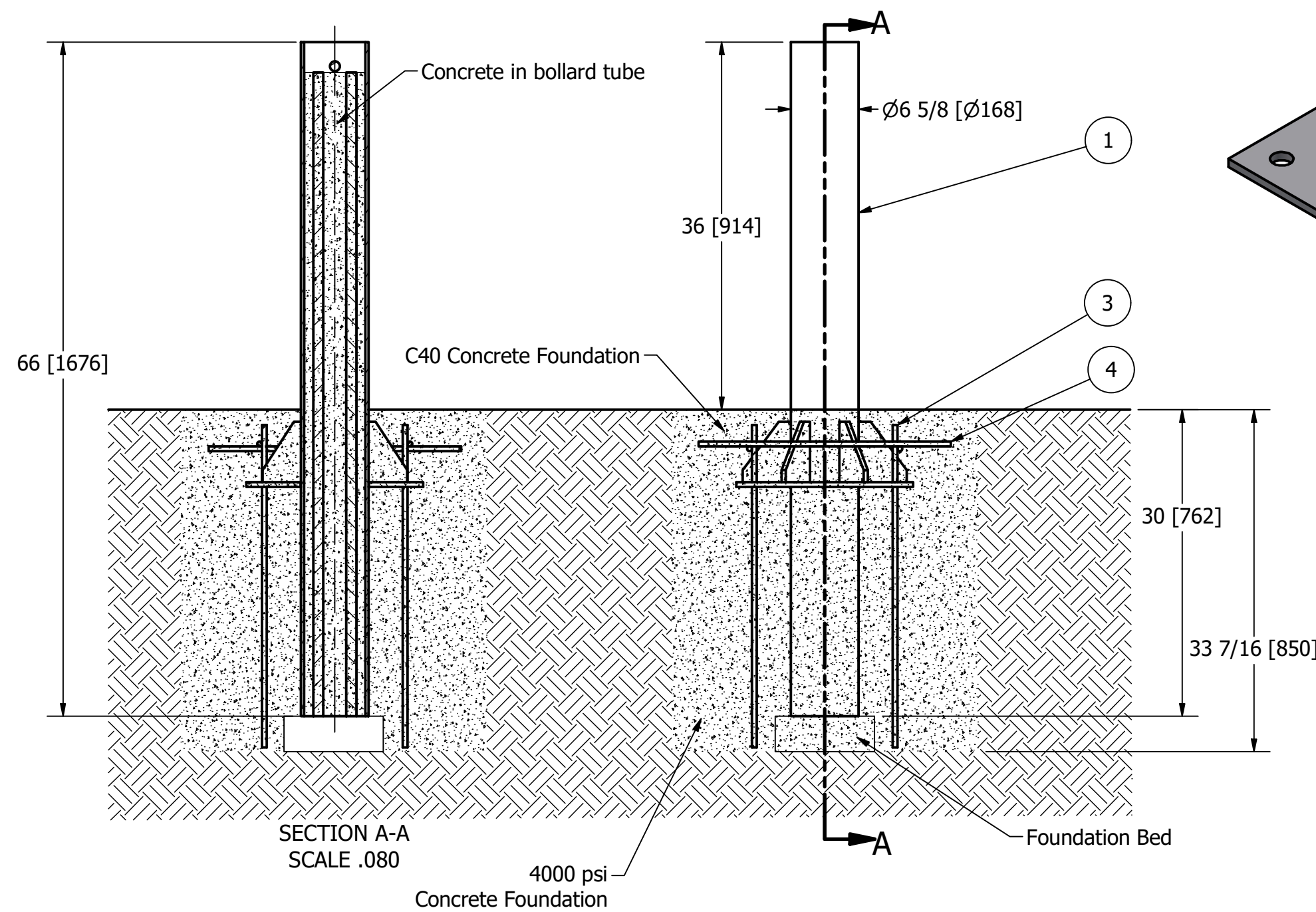
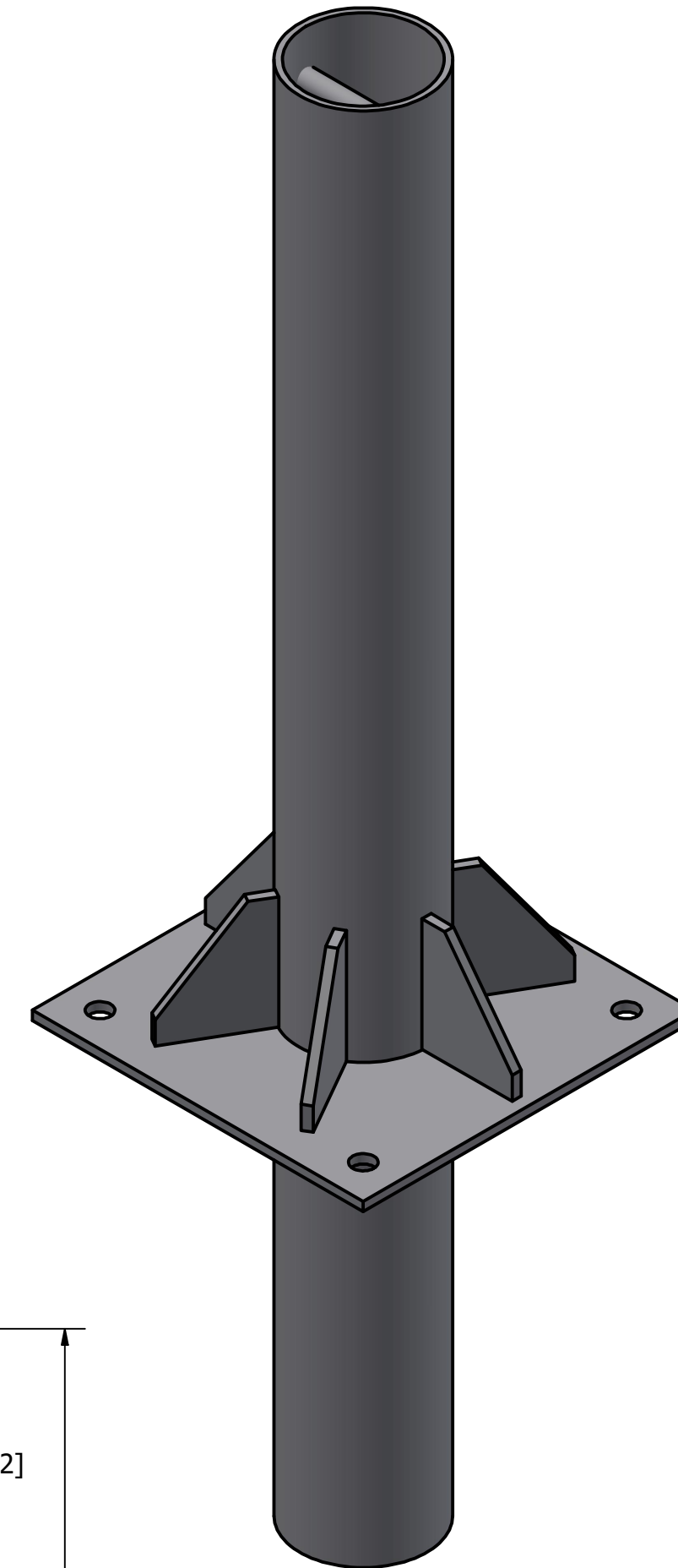
For more information on bollard post installation, please visit: www.reliance-foundry.com/bollard/installation-bollards

Specifications:

- Total Height: 66" [1676]
- Height above grade: 36" [914]
- Height below grade: 30" [762]
- Body Diameter: 6 5/8" [168]
- Weight: 175 lbs [79.4 kg]
- Material: Steel



Impact Direction



Notes:

- Embedment details are for reference illustration only. Minimum foundation sizes depend on local soil conditions, weather conditions, and engineering requirements.
- Bollard is provided as shown, with parts listed below. Concrete foundation and/or installation not provided by Reliance Foundry.
- This drawing is not drawn to scale. Dimensions provided herein is for reference only. Please consult Reliance Foundry sales professionals if any dimension is critical to your particular installation.
- Reliance Foundry reserves the right to amend design and specifications without prior notice for product improvement.

PARTS LIST				
ITEM	QTY	PART NUMBER	DESCRIPTION	WEIGHT (lbs)
1	1	R-1040-C40	Halvard R-1040-C40	175
2	2	Rebar Size#8	Rebar Size#8 - 65" Length (Included with bollard)	6.5
3	4	Rebar Size#4	Rebar Size#4 - 32" Length (Not Included)	0.8
4	4	Rebar Size#4	Rebar Size#4 - 24" Length (Not Included)	0.6

RELIANCE FOUNDRY
SINCE 1925

Unit 207, 6450 - 148 Street, Surrey, BC V3S 7G7, Canada
1-877-789-3245 info@reliance-foundry.com
www.reliance-foundry.com

TITLE
Halvard R-1040-C40 Crash-Rated Bollard

SIZE C	DWG NO R1040-C40_public	REV A10
------------------	-----------------------------------	-------------------